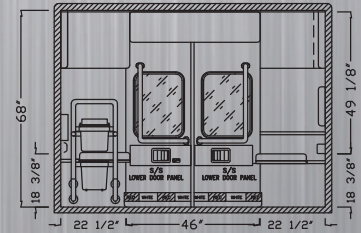
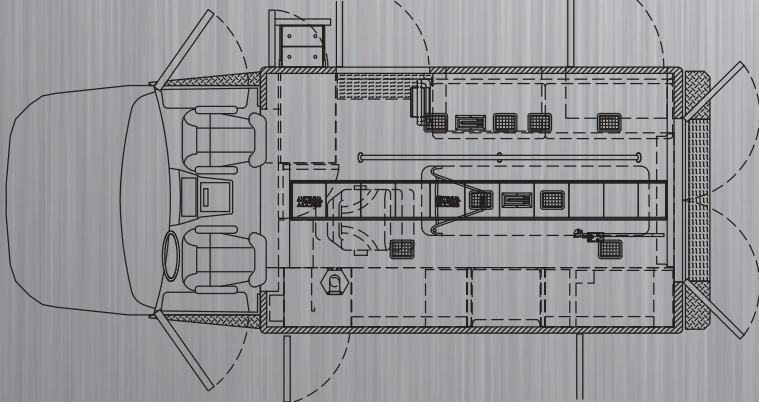
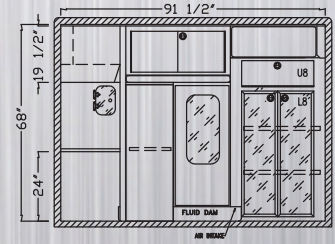
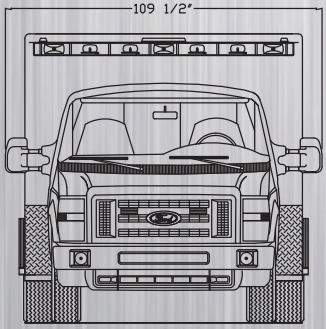
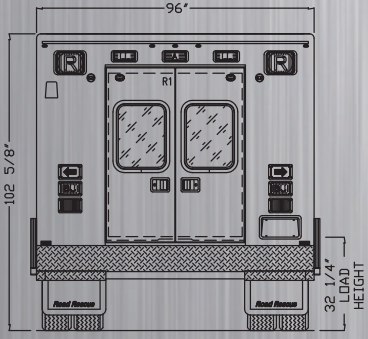
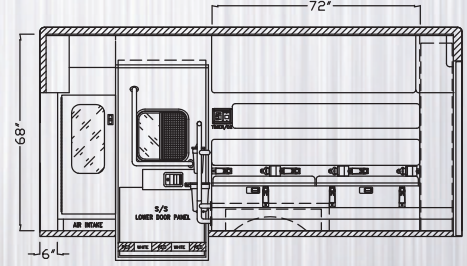
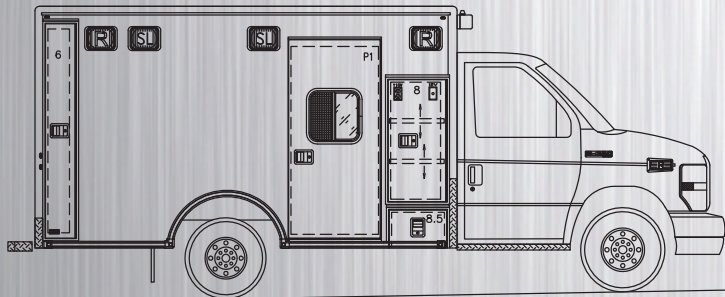
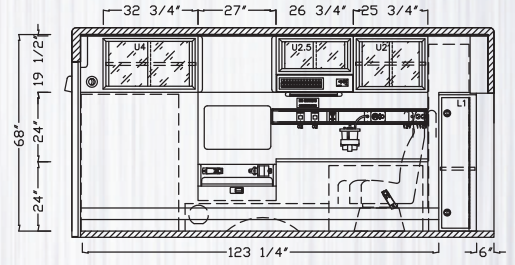
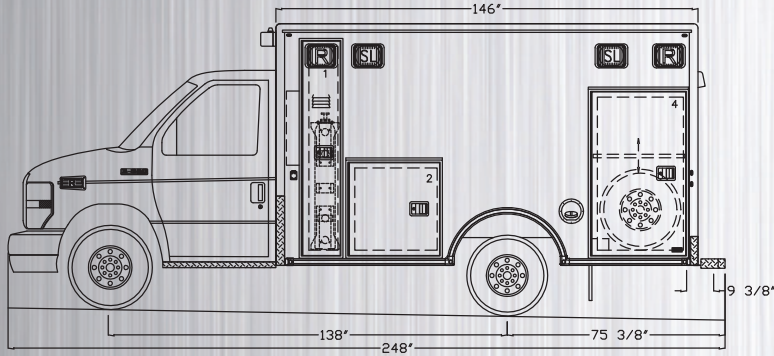


# FORD E350 PROMEDIC



# FORD E350 PROMEDIC



## Standard Features

### CHASSIS

Ford E350, 80" CA, 138" WB, 11,500 GVWR  
NFPA Aluminum Running Boards with Splash Guard  
Stainless Steel Wheel Inserts

### MODULE REQUIREMENTS

Module 146" long x 96" wide  
Interior headroom 68"  
KKK- F, QVM and FMVSS Certified

### WARRANTIES

Lifetime Modular Structural Warranty  
7 Year/70,000 mile Electrical Warranty  
7 Year/70,000 mile Paint Warranty  
3 Year/30,000 mile Conversion Warranty

### MODULE EXTERIOR

Box Pan Formed construction  
Seamless CNC cut and formed .125 aluminum, side and front walls  
2" x 2" Structural wall tubes, 12" on center  
Module insulated with 2" polystyrene, expanding foam and 3M Thinsulate  
Single piece roof sheet, continuous perimeter weld  
Crowned roof  
Ladder Frame floor substructure  
Rigid, soundproof foam injected floor for enhanced thermal acoustic insulation  
(10) module-to-chassis mount points  
Double Box Pan Formed doors with Hidden Hinge  
Foam injected doors with weather seal on door  
Extruded door frames  
Heavy duty chrome door handles with floating cam  
Extruded rubber Rub Rail and fender ring with replaceable Scotchlite insert  
Aluminum wheel well liners for fullounce  
Drip rail over all doors with no fasteners  
Exterior components installed with isolation material

### MODULE COMPARTMENTS

Box Pan Formed Compartments  
Sweep out compartment bottoms  
Heavy duty polyurethane spray coating  
Stainless steel door sills  
Gas shock door hold opens  
Diamond plate aluminum shelves  
Maintenance free magnetic door switches  
#1 Compartment oxygen storage  
#2 Compartment miscellaneous storage  
#4 Compartment spare tire and equipment  
#6 Compartment backboard storage  
#8 Compartment Inside/Outside access

### PAINT

PPG Delfleet brand paint  
Doors painted separately (paint under hinges)  
Entire module base coat, clear coat with complete sand and buff

### MODULE INTERIOR

All cabinets aluminum Box Pan Formed construction  
Upper cabinets, hinged sliding Acrylic doors with gas shocks for restocking and cleaning  
Infinitely adjustable aluminum shelves  
Upper area vinyl covered, including cabinets  
Vacuum formed vinyl attendant seat and cushions  
Lower area plastic laminate covered, including cabinets  
Stainless steel kick panels on entrance doors  
Gas shocks on CPR seat and squad bench lids  
Stainless steel pull ring slam latches  
Medical device rail action wall, ceiling and squad bench  
Cushioned ceiling with seamless vinyl  
Rubber crash protection on cabinet corners  
Solid surface countertop  
Overhead Grab rail and entrance door handles made from anti-microbial stainless steel  
Two flip down recessed dual plasma hangers  
Removable combination arm rest/waste and sharps holder at head of squad bench  
Extruded 4" high, aluminum floor radius  
Industrial grade linoleum, 4" up side walls  
Cab to module Fluid Dam

### ELECTRICAL GENERAL

All wiring color-coded for function every 3 in.  
All components have separate ground wire terminated at ground buss  
All devices, switches and outlets rated to 125% of maximum load  
Two complete sets of as-built detailed wiring diagrams  
Laminated master diagram, power distribution

### VEHICLE SYSTEMS

Easy access power distribution, front bulkhead  
Individual Printed Circuit Boards w/diagnostic indicators, removable automotive components  
Curved rocker switches with LED indicators  
Electro luminescent backlighting for switch panels and indicators  
Dead front indicators as required by KKK-F  
Adhesive-backed press fit removable legends  
Spare switch and printed circuit board  
Removable console that holds switch panel, siren, and space for two radio heads  
Two RG8X antenna cable prewire

### ELECTRICAL 12 VOLT DC

(3) Delco 1150 battery system wired to chassis ignition  
Digital volt and amp meter with Hall Effect sensor  
Battery charger prewire  
12 Volt power outlets, action wall and ALS

### EMERGENCY SYSTEMS

Front wall mounted 4500 halogen flasher/rotator light bar  
(6) Whelen 900 Red flashing lights, sides and rear  
(2) Whelen 700 Red flashing Grill lights  
(2) Whelen 700 Red Cab Intersection lights  
(1) Whelen 700 Amber light, center over rear doors  
Chrome Trim Rings all exterior lights  
Load manager/sequencer  
Whelen WS-295-HFS-A1 siren with diagnostics and hands-free switching  
Cast Products dual 100-watt siren speakers  
Back-up alarm with cut-off switch

### EXTERIOR LIGHTING

Whelen LED Marker, Clearance and License lights with Chrome trim  
(6) Model 600 halogen backup/brake/turn signals  
(4) Model 900 floods on sides, (2) Model 700 rear

### INTERIOR LIGHTING

Whelen 86 halogen lights recessed in ceiling  
60 Min. solid state restocking timer with momentary switch  
200,000 candle-power handheld spotlight  
Action wall counter light

### ELECTRICAL 110 VOLT AC

15-amp straight blade shore power w/toggle GFI  
(2) Hospital grade illuminated outlets, action wall and ALS cabinet  
Prewire for Vanner inverter

### ENVIRONMENTAL SYSTEMS

Combination 23,000 heat, 32,000 cool, 650 CFM system  
Conditioned air distribution, recessed full length of module with 6 vents and hidden return air at ALS  
Single, speed 100 CFM exhaust fan

### MEDICAL SYSTEMS

Single center position, Ferno or Stryker cot fastener  
Medical oxygen outlets, (2) action wall and (1) head of squad bench  
Electric oxygen low pressure control with manual bypass  
SSCOR onboard suction system with regulator and canister  
Zico universal 7"-9" diameter cylinder holder